

# USER'S MANUAL

## PULMO-MIST II AEROSOL COMPRESSOR

Models 4115, 4235, and 4236

2010-1115 Rev B

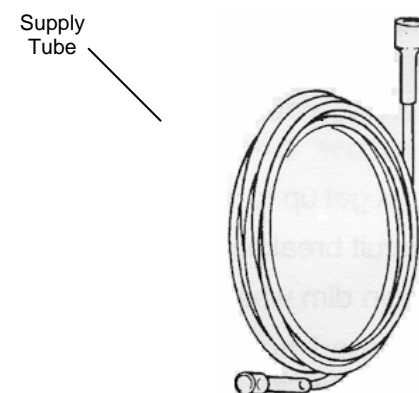
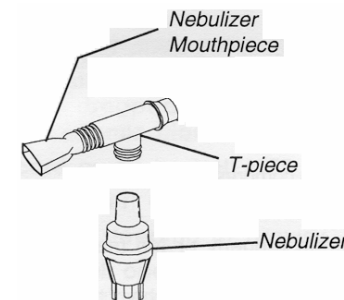
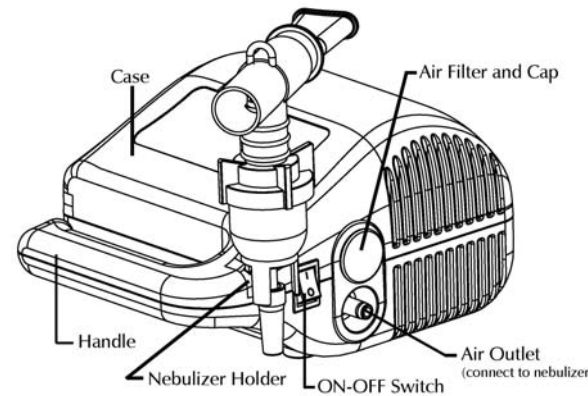
READ ALL INSTRUCTIONS BEFORE USING THE APPLIANCE

### CONTENTS

SPECIAL NOTES.....	1
FEATURES.....	2
IMPORTANT SAFEGUARDS.....	3
SUPPLEMENTAL INFORMATION.....	4
OPERATION / PROCEDURES.....	5
MAINTENANCE.....	6
SPECIFICATIONS.....	7
ACCESSORIES.....	8
LIMITED WARRANTY.....	9

1	SPECIAL NOTES
	<b>CAUTION:</b> U.S. Federal law restricts this device to sale by, or on order of a licensed physician or other licensed medical practitioner.
	<b>DANGER / WARNING / CAUTION</b> notices as used in this manual apply to hazards or unsafe practices which could result in personal injury or property damage.
	<b>NOTICE:</b> The information contained in this document is subject to change without notice. The aerosol compressor is intended primarily for household use. It may be used by trained personnel in clinical settings.
	<b>WARNING</b> DO NOT install, maintain or operate this device without first reading and understanding this manual. If you are unable to understand the DANGERS/ WARNINGS/ CAUTIONS AND INSTRUCTIONS, contact your supplier before attempting to use the equipment. If you do not, you are risking injury or property damage.
	Complies with the 93/42/ EEC directive certified by the approved organization no 0434.
	Type B Device
	Class II Insulation (double insulation)
	Use no Oil (Unit is permanently lubricated)
<b>Non-STERILE</b>	Symbol to indicate that the device is not sterile.

## 2 FEATURES



## 3 IMPORTANT SAFEGUARDS

**WHEN USING ELECTRICAL PRODUCTS, ESPECIALLY WHEN CHILDREN ARE PRESENT, ALWAYS FOLLOW BASIC SAFETY PRECAUTIONS, INCLUDING:**

### TO REDUCE THE RISK OF ELECTROCUTION

- ALWAYS** unplug this product immediately after using.
- DO NOT** use while bathing or around water.
- DO NOT** place or store the product where it can fall or be pulled into a tub or sink, or where it can be splashed upon.
- DO NOT** reach for product that has fallen into water. **UNPLUG IMMEDIATELY.**
- DO NOT** place or drop into water or other liquids.

### TO REDUCE THE RISK OF BURNS, ELECTROCUTION, FIRE OR INJURY TO PERSONS

This product should never be left unattended when plugged in. Close supervision is necessary when this product is used by, on or near CHILDREN AND PHYSICALLY IMPAIRED INDIVIDUALS. Use this product only for its intended use as described in this manual. Use this product only under a physician's direction. Use only with nebulizer attachments supplied by the manufacturer or recommended by your physician or equipment supplier. Keep the power cord away from **HEATED** or **HOT** surfaces.

- NEVER** operate this product with a damaged cord or plug, if it is not working properly, if it has been dropped or damaged, or dropped into water; call Qualified Service Personnel for examination and repair.
- NEVER** drop or insert any object into any opening.
- NEVER** use while sleeping or drowsy.
- NEVER** block the air openings of the product or place it on a soft surface, such as a bed or couch where the air openings may be blocked. Keep the air openings free from lint, hair or other materials that might block them. Blocked openings may cause the unit to shut down.
- DO NOT** use outdoors or operate where aerosol (spray) products are being used.
- DO NOT** use in the presence of flammable anesthesia mixtures with air, oxygen or nitrous oxide.

## 4 SUPPLEMENTAL INFORMATION: ELECTRICAL

**Compressor:** If the unit shuts down repetitively, check for low voltage. Low voltage should also be suspected when:

1. The motor seems sluggish and weak; does not reach speed.
2. Fuses or circuit breakers activate when the compressor is started.
3. Lights dim or remain dim when compressor is started.
4. Other motor operated appliances do not operate properly.

**⚠ Extension Cords:** We discourage the use of extension cords; however, if it is necessary that you do use one, be sure that it is in good condition. Check that the wire diameter is at least 18 gauge (1.0 mm), for 25 feet long cords or 16 gauge (1.3 mm), for 50 feet long cords.

The disposable nebulizer package (Ref:9012-8787) includes a nebulizer, a mouthpiece, T-piece and air tubing. These are available only as a kit. Clean the nebulizer before the first use according to the cleaning instructions.

## 5 OPERATION / PROCEDURES

- Place the unit on a table or other firm surface where controls are easily reached. (Use only with an approved type Nebulizer; one P/N 9012-8787 is included in the package).
- The Nebulizer and all associated products are intended for use in delivering aerosol medications.
- All products are to be used in accordance with the applicable prescription.
- Remove the Nebulizer from the package and attach the Nebulizer top to the bowl per the instruction sheet.
- Attach the Nebulizer to the components included in the kit and then connect the supply tube to the air outlet.
- Add medication to the Nebulizer per the physician's prescription and as shown in the Nebulizer instruction.
- Plug the power cord into a wall outlet that supplies the correct power according to the label on the underside of the unit.
- Insure that all connections are secure, and then press the power switch to the ON (I) to start the unit.
- Confirm appropriate aerosol function; observe that there is a mist coming from the mouthpiece.
- At completion of the treatment, press the power switch to the OFF (O) position and unplug the power cord.

### ADDING LIQUID MEDICATION TO NEBULIZER



USING THE NEBULIZER

## 6 MAINTENANCE

**⚠ Warning: Electrical Shock Hazard** Do not remove outer case of this unit. The warranty is voided if the outer case is opened.

### CLEANING THE UNIT

**Note:** UNPLUG unit before cleaning.  
DO NOT submerge in water.  
DO NOT use solvents.  
USE damp cloth only when cleaning outer case.

### CLEANING OR REPLACING THE AIR FILTER

**Note:** Clean the filter every month or if it shows dirt. Replace filter if torn or has worn appearance.

- Unplug unit.
- Remove the filter cover.
- Remove filter, clean with soap and water. Let dry thoroughly before use.
- Reinstall.
- DO NOT run unit without filter.

**Note:** Regular filter cleaning/replacing is necessary to help ensure proper compressor performance.

### CLEANING THE NEBULIZER

**Note:** Since the Nebulizer is disposable, it is recommended that an extra Nebulizer be kept at all times.

**Note:** Clean the Nebulizer after every use or at least once a day.

**Note:** Your physician and/or home service provider may specify certain cleaning procedures. If so, follow their recommendations. If not, clean according to the following instructions:

- Remove the Nebulizer and mouthpiece from the tubing.
- Disassemble Nebulizer chamber by turning counter clockwise and separating.
- Fill two (2) plastic containers or bowls:**
  - Washing:** hot water / detergent solution.
  - Soaking:** hot water / vinegar solution (one [1] part vinegar to three [3] parts water).
- Thoroughly clean the Nebulizer and mouthpiece in hot water / detergent solution.
- Remove from the water/detergent solution and rinse with clear hot water.
- Soak in hot water / vinegar solution for 30 minutes.
- Rinse with hot water again and air dry thoroughly.
- Keep the outer surface of the tubing dust-free by wiping regularly.

**Note:** The Nebulizer air tubing does not have to be washed internally – only filtered air passes through the tubing. Following cleaning, or other maintenance, verify that the device is producing the expected aerosol cloud. If there is any question about the compressor performance, contact your service provider

## 7 SPECIFICATIONS

<b>Electrical Requirement</b>	Model 4115	115 VAC 60 Hz
	Model 4235	230 VAC 50 Hz
	Model 4236	230 VAC 60 Hz
<b>Compressor Model</b>	NBA02	
<b>Running Current</b>	1.4 A @ 115V/60 Hz 0.7A @ 230V/50-60 Hz	
<b>Sound Level</b>	55 dBA	
<b>Ambient Temperature</b>	50 F to 104 F	
<b>Power Consumption</b>	50-60 watts	
<b>Thermal Protection</b>	UL Approved Motor Over temperature Shut-Down (Automatic resetting)	
<b>Dimensions</b>	6" (152 mm) Wide 4" (101 mm) High 7" (178 mm) Deep	
<b>Weight</b>	3.1 pounds (1.4kg)	
<b>Standards</b>	UL 60601-1 CAN/CSA C22.2	

## 8 ACCESSORIES

<b>Filter</b>	P/N 7631-1072 (pkg of 5 filters& cap)
<b>Nebulizer</b>	P/N 9012-8787 Disposable Nebulizer (5 ml Capacity), w/Mouthpiece, T-Piece, and 7 foot tubing.
<b>Owner's Manual</b>	P/N 2010-1115

## 9 LIMITED WARRANTY STATEMENT

*This product has limited warranty and is appreciable to the original dealer-purchase of this equipment. The warranty is void if the unit or any other component part thereof has been damaged by accident, abuse, misuse, neglect, alteration, improper usage or any other causes not arising out of defects in material or workmanship. Nidek Medical Products, Inc. makes no other warranties of any kind whatsoever express or implied with respect to the Pulmo-Mist II or its component parts and all implied warranties including but not limited to warranties or merchantability and fitness for a particular purpose are hereby expressly disclaimed and excluded by Nidek Medical Products, Inc.*

<p>Manufactured for</p> <p>Nidek Medical Products, Inc. 3949 Valley East Industrial Drive Birmingham, Alabama 35217 Tel: 205 856-7200 Fax: 205 856-0533 <a href="http://www.nidekmedical.com">www.nidekmedical.com</a></p>	<p>EU Representative</p> <p>mdi Europa GmbH Wittekamp 30 D-30163 Hannover Tel: +49 511 39 08 95 30 Fax: +49 511 39 08 95 39 <a href="http://www.mdi-europa.com">www.mdi-europa.com</a> <a href="mailto:info@mdi-europa.com">info@mdi-europa.com</a></p>
--	---